

DIMENSION TABLE					
MODEL NUMBER	CAPACITY LBS [KG]	WIDTH IN [MM]	HEIGHT IN [MM]	FOOTPRINT IN [MM]	MATERIAL GAGE
HI 1212SBU-33	33 [15]	11.75 [298.4]	1.54 [39.1]	9.86 [250.5]	12 (.105 IN/2.67 MM)
HI 1212SBU-66	66 [30]	11.75 [298.4]	1.56 [39.6]	9.86 [250.5]	12 (.105 IN/2.67 MM)
HI 1212SBU-130	130 [60]	11.75 [298.4]	1.75 [44.5]	9.86 [250.5]	12 (.105 IN/2.67 MM)
HI 2424SBU-130	130 [60]	23.62 [600.0]	1.78 [45.2]	21.68 [550.5]	11 (.120 IN/3.05 MM)
HI 2424SBU-330	330 [150]	23.62 [600.0]	1.68 [42.7]	21.68 [550.5]	11 (.120 IN/3.05 MM)
HI 2424SBU-660	660 [300]	23.62 [600.0]	1.87 [47.5]	21.68 [550.5]	11 (.120 IN/3.05 MM)
HI 2424SBU-1.3K	1.3K [590]	23.62 [600.0]	2.05 [52.1]	21.68 [550.5]	11 (.120 IN/3.05 MM)

REV.	ECO/DDC	DESCRIPTION	DATE	DRAFT	CHECK	APV'D
A	----	RELEASED.	12-12-02	V.J.C.	S.N.	V.J.C.
A2	----	DDC; ADDED NOTE 5.	04-21-04	V.J.C.	S.N.	V.J.C.
B	10241	REVISED PER ECN.	08-09-07	T.N.	S.N.	V.J.C.

5 CABLE MUST EXIT STRAIGHT FROM SCALE 6.00 INCHES [152.4 MM] MINIMUM TO ENSURE PROPER SCALE OPERATION.

4 CABLE TYPE: 8 CONDUCTOR, 24 AWG, SHIELDED, WITH DRAIN WIRE  
 CABLE JACKET: PVC  
 CABLE LENGTH: 15.00 FEET ±2.00 INCHES [3.81 ±0.05 METERS]  
 CABLE WIRE COLOR TERMINATIONS:

EXCITATION + RED  
 EXCITATION - BLACK  
 SENSE + BLUE  
 SENSE - BROWN  
 SIGNAL + GREEN  
 SIGNAL - WHITE  
 C2 + GRAY  
 C2 - VIOLET  
 SHIELD (DRAIN) YELLOW (OR CLEAR)


3. SEE SHEET 2 FOR ADDITIONAL INFORMATION.

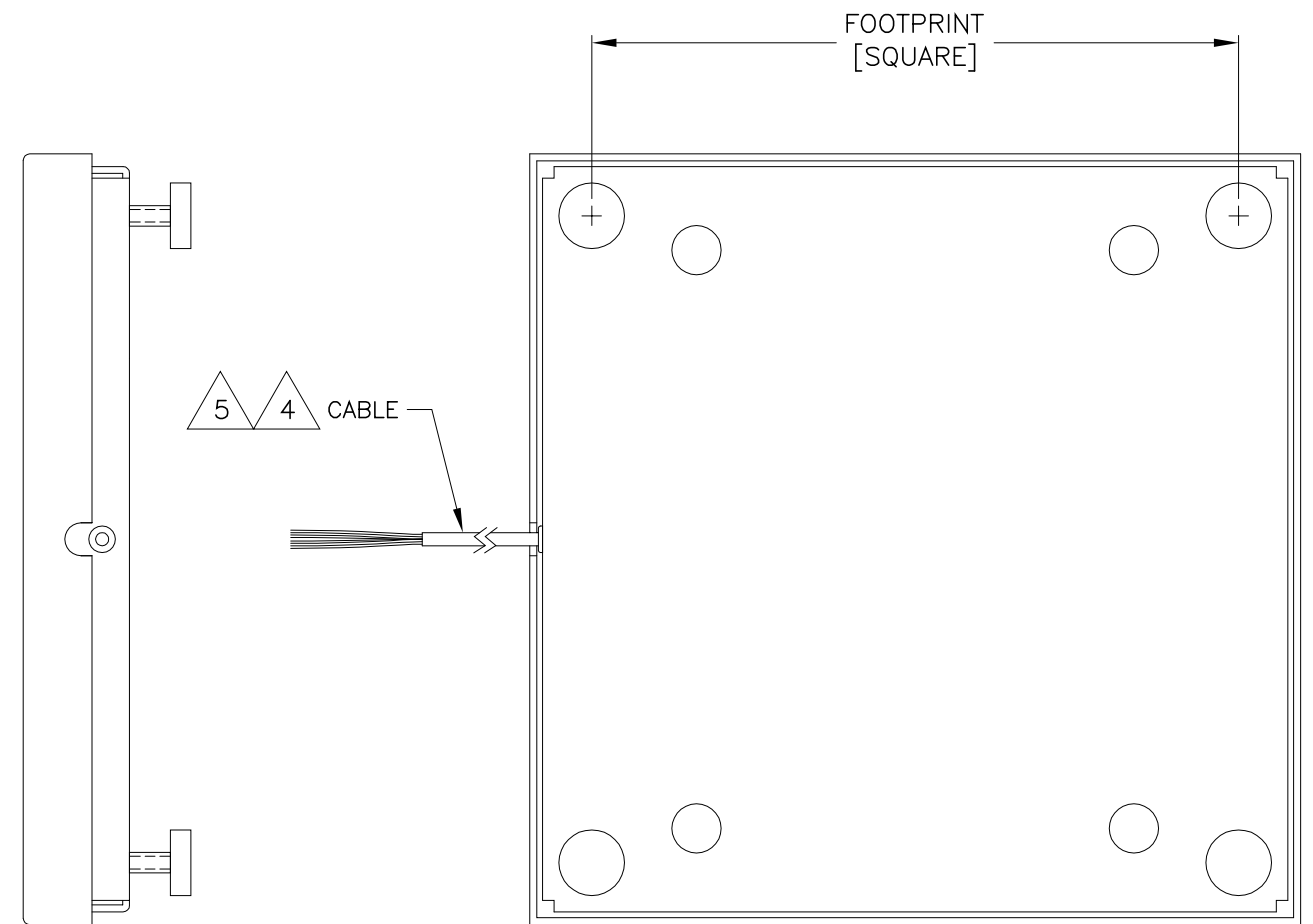
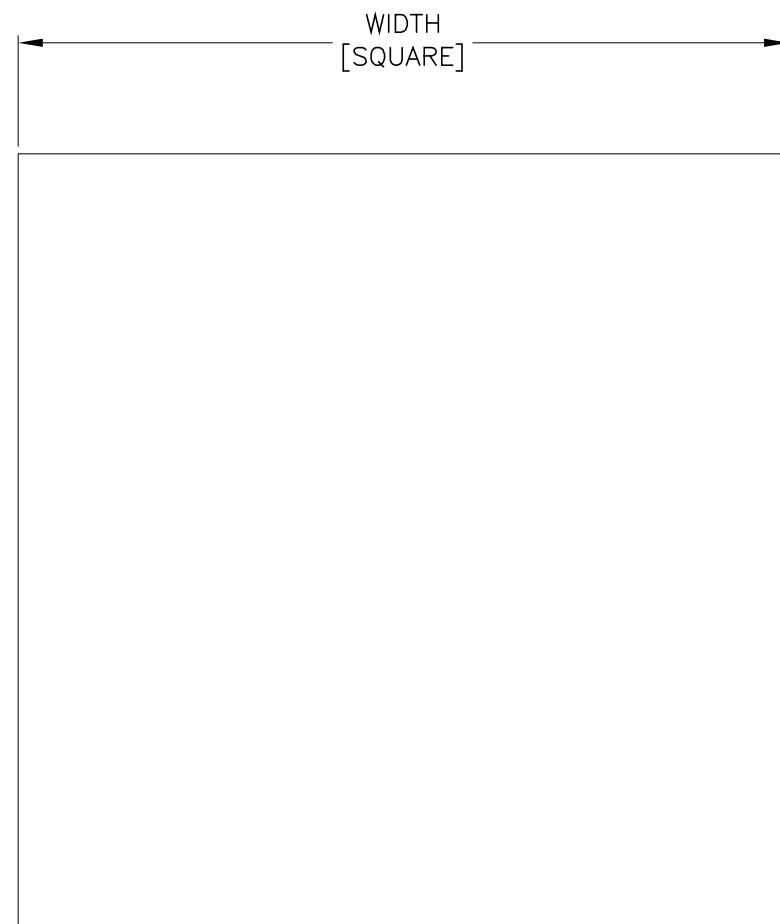
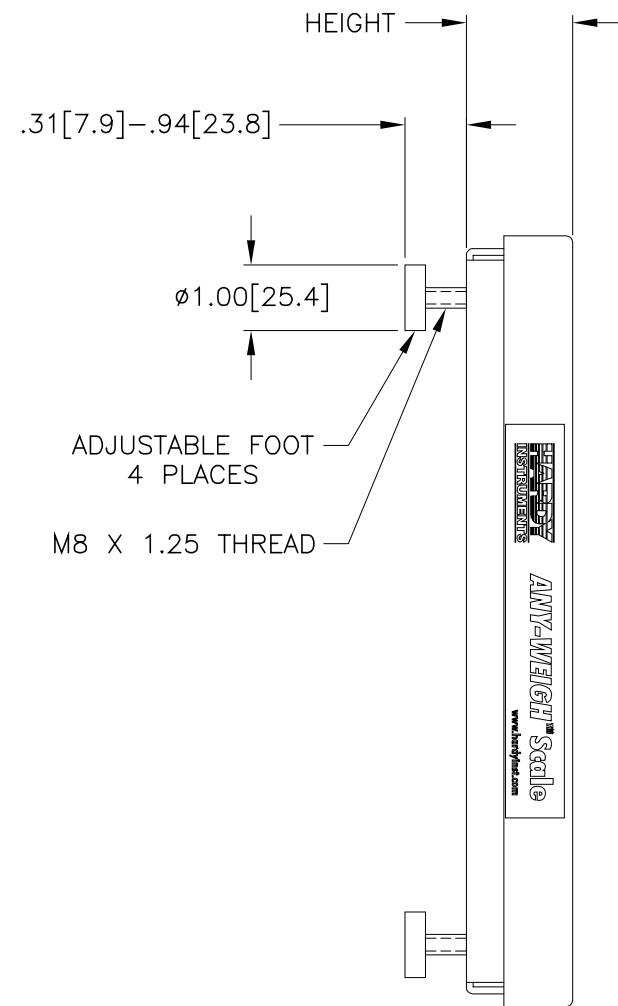
2. SCALE PLATFORM MATERIAL IS STAINLESS STEEL. SCALE BOTTOM MATERIAL IS POWDER COATED STEEL.

1. THIS DRAWING IS SUBJECT TO CHANGE WITHOUT NOTICE.

**NOTES: UNLESS OTHERWISE SPECIFIED**

**PROPRIETARY NOTICE**  
 ALL DATA AND INFORMATION CONTAINED IN OR DISCLOSED BY THIS DOCUMENT IS CONFIDENTIAL AND PROPRIETARY INFORMATION OF HARDY INSTRUMENTS INC. AND ALL RIGHTS THEREIN ARE EXPRESSLY RESERVED. BY ACCEPTING THIS MATERIAL THE RECIPIENT AGREES THAT THIS MATERIAL AND THE INFORMATION CONTAINED THEREIN IS HELD IN CONFIDENCE AND IN TRUST AND SHALL NOT BE USED, COPIED, REPRODUCED IN WHOLE OR IN PART, NOR ITS CONTENTS REVEALED IN ANY MANNER TO OTHERS, EXCEPT TO MEET THE SPECIFIC PURPOSE FOR WHICH IT WAS DELIVERED.

ITEM	QTY	PART NUMBER	DESCRIPTION	COMMENTS												
0588-0095 OUTLINE DRAWING, ANY-WEIGH SCALES, UNIVERSAL TYPE																
<b>PARTS LIST</b>																
UNLESS OTHERWISE SPECIFIED DIMENSIONS ARE IN INCHES [MM]		CONTRACT NO.														
TOLERANCES ARE:		<b>APPROVALS</b>														
DECIMALS: .XX = ±0.015 [0.40]		DRAWN V. CHULA	DATE 12-10-02	 <b>OUTLINE DRAWING, ANY-WEIGH SCALES, UNIVERSAL TYPE</b>												
ANGLES: N/A		CHECKED S. NAVARRO	DATE 12-12-02													
MATERIAL		APPROVED V. CHULA	DATE 12-12-02													
FINISH		ISSUED S. NAVARRO	DATE 12-13-02													
DO NOT SCALE DRAWING		PRODUCTION	DATE	<table border="1" style="width: 100%; border-collapse: collapse;"> <tr> <td>SIZE</td> <td>FSCM</td> <td>DRAWING NO.</td> <td>REV.</td> </tr> <tr> <td style="text-align: center;">D</td> <td style="text-align: center;">21316</td> <td style="text-align: center;">0588-0095</td> <td style="text-align: center;">B</td> </tr> <tr> <td colspan="2">FILE NAME: 588095B1.DWG</td> <td>SCALE: NONE</td> <td>SHEET 1 OF 2</td> </tr> </table>	SIZE	FSCM	DRAWING NO.	REV.	D	21316	0588-0095	B	FILE NAME: 588095B1.DWG		SCALE: NONE	SHEET 1 OF 2
SIZE	FSCM	DRAWING NO.	REV.													
D	21316	0588-0095	B													
FILE NAME: 588095B1.DWG		SCALE: NONE	SHEET 1 OF 2													



<b>HARDY INSTRUMENTS</b>			
TITLE OUTLINE DRAWING, ANY-WEIGH SCALES, UNIVERSAL TYPE			
SIZE D	FSCM 21316	DRAWING NO. 0588-0095	REV. B
FILE NAME: 588095B1.DWG		SCALE: NONE	SHEET 2 OF 2