

REV.	ECO/DDC	DESCRIPTION	DATE	DRAFT	CHECK	APV'D
A	----	RELEASED.	12-12-02	V.J.C.	S.N.	V.J.C.
B	10241	REVISED PER ECN.	08-09-07	T.N.	S.N.	V.J.C.


DIMENSION TABLE					
MODEL NUMBER	CAPACITY LBS [KG]	WIDTH IN [MM]	HEIGHT IN [MM]	FOOTPRINT IN [MM]	MATERIAL GAGE
HI 1212SBA-33	33 [15]	11.75 [298.4]	1.54 [39.1]	9.86 [250.5]	12 (.105 IN/2.67 MM)
HI 1212SBA-66	66 [30]	11.75 [298.4]	1.56 [39.6]	9.86 [250.5]	12 (.105 IN/2.67 MM)
HI 1212SBA-130	130 [60]	11.75 [298.4]	1.75 [44.5]	9.86 [250.5]	12 (.105 IN/2.67 MM)
HI 2424SBA-130	130 [60]	23.62 [600.0]	1.78 [45.2]	21.68 [550.5]	11 (.120 IN/3.05 MM)
HI 2424SBA-330	330 [150]	23.62 [600.0]	1.68 [42.7]	21.68 [550.5]	11 (.120 IN/3.05 MM)
HI 2424SBA-660	660 [300]	23.62 [600.0]	1.87 [47.5]	21.68 [550.5]	11 (.120 IN/3.05 MM)
HI 2424SBA-1.3K	1.3K [590]	23.62 [600.0]	2.05 [52.1]	21.68 [550.5]	11 (.120 IN/3.05 MM)

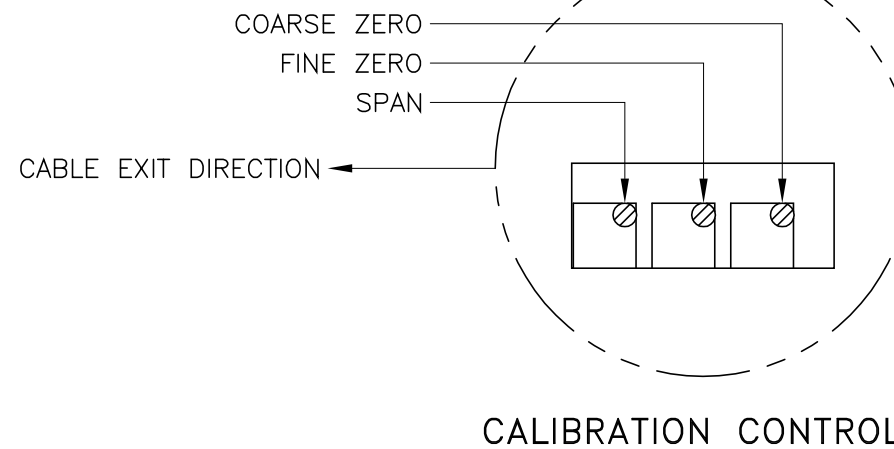
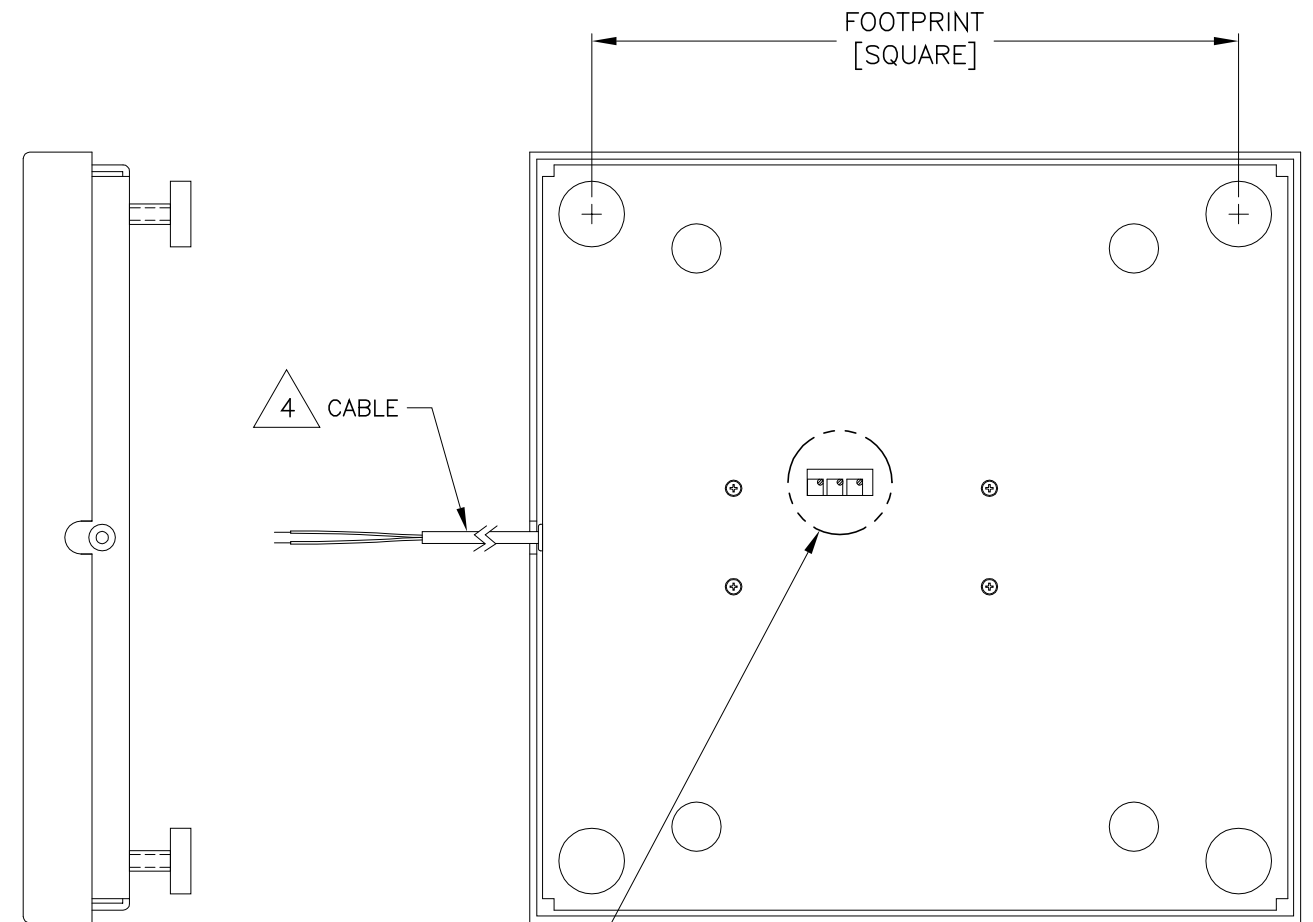
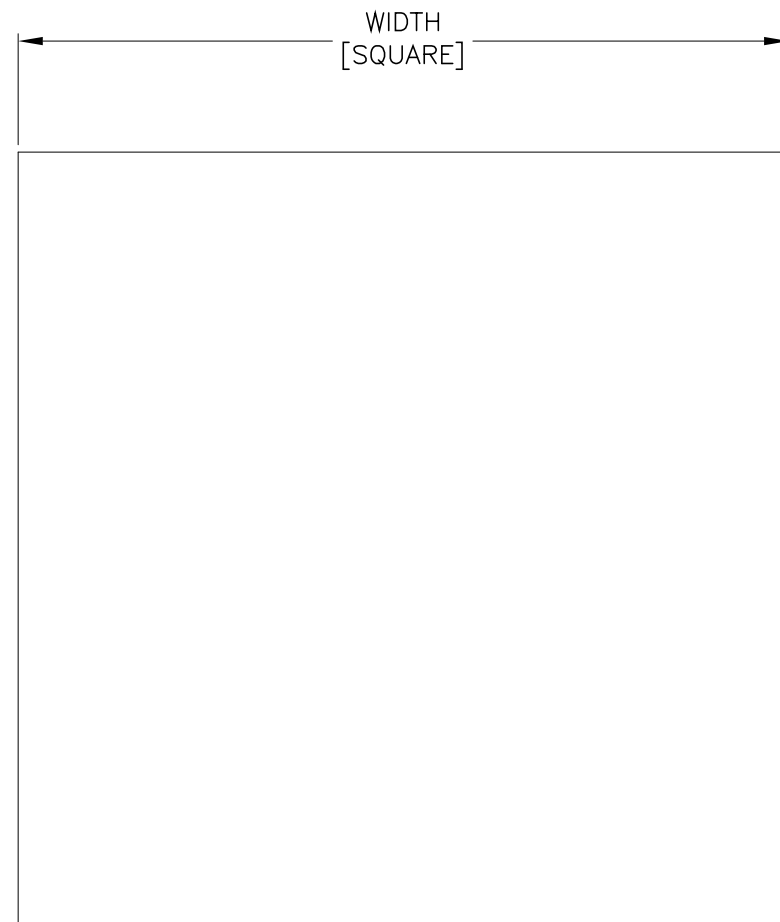
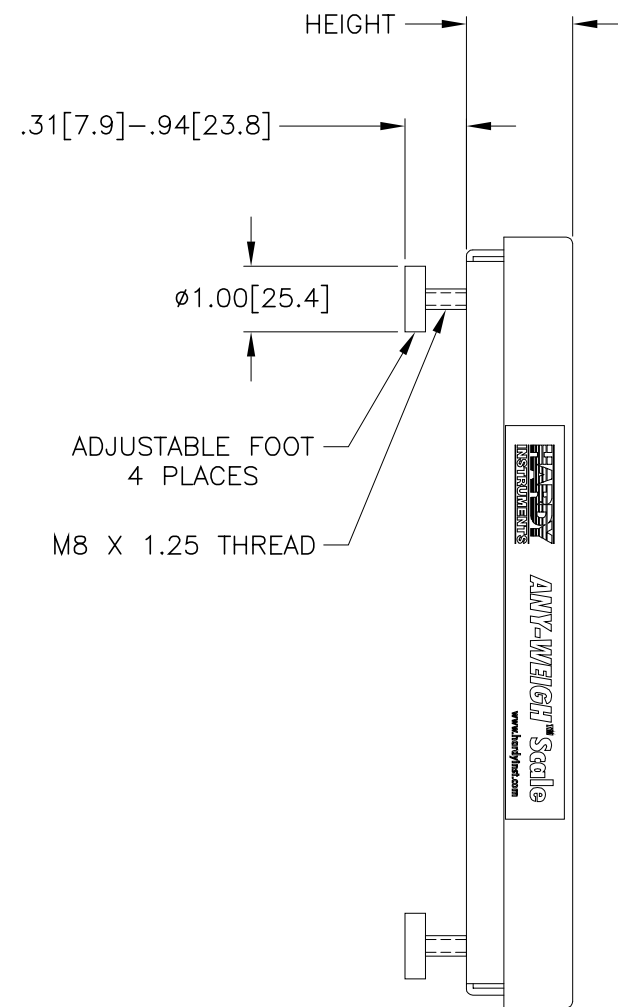
- 4 CABLE TYPE: 2 CONDUCTOR, 22 AWG TWISTED PAIR, SHIELDED, WITH DRAIN WIRE
 CABLE JACKET: PVC
 CABLE LENGTH: 15.00 FEET ±2.00 INCHES [3.81 ±0.05 METERS]
 CABLE WIRE COLOR TERMINATIONS:
 V+ BLACK
 V- WHITE
 SHIELD (DRAIN) BARE

3. SEE SHEET 2 FOR ADDITIONAL INFORMATION.
 2. SCALE PLATFORM MATERIAL IS STAINLESS STEEL. SCALE BOTTOM MATERIAL IS POWDER COATED STEEL.
 1. THIS DRAWING IS SUBJECT TO CHANGE WITHOUT NOTICE.

NOTES: UNLESS OTHERWISE SPECIFIED

PROPRIETARY NOTICE
 ALL DATA AND INFORMATION CONTAINED IN OR DISCLOSED BY THIS DOCUMENT IS CONFIDENTIAL AND PROPRIETARY INFORMATION OF HARDY INSTRUMENTS INC. AND ALL RIGHTS THEREIN ARE EXPRESSLY RESERVED. BY ACCEPTING THIS MATERIAL THE RECIPIENT AGREES THAT THIS MATERIAL AND THE INFORMATION CONTAINED THEREIN IS HELD IN CONFIDENCE AND IN TRUST AND SHALL NOT BE USED, COPIED, REPRODUCED IN WHOLE OR IN PART, NOR ITS CONTENTS REVEALED IN ANY MANNER TO OTHERS, EXCEPT TO MEET THE SPECIFIC PURPOSE FOR WHICH IT WAS DELIVERED.

ITEM	QTY	PART NUMBER	DESCRIPTION	COMMENTS
0588-0096 OUTLINE DRAWING, ANY-WEIGH SCALES, ANALOG TYPE				
PARTS LIST				
UNLESS OTHERWISE SPECIFIED DIMENSIONS ARE IN INCHES [MM]		CONTRACT NO.		 <p>TITLE OUTLINE DRAWING, ANY-WEIGH SCALES, ANALOG TYPE</p>
TOLERANCES ARE: DECIMALS: .XX = ±.015 [0.40]		APPROVALS		
ANGLES: N/A		DRAWN V. CHULA	DATE 12-11-02	
MATERIAL		CHECKED S. NAVARRO	DATE 12-12-02	
FINISH		APPROVED V. CHULA	DATE 12-12-02	
DO NOT SCALE DRAWING		ISSUED S. NAVARRO	DATE 12-13-02	SIZE D
		PRODUCTION	DATE	FSCM 21316
				DRAWING NO. 0588-0096
				REV. B
				FILE NAME: 588096B1.DWG SCALE: NONE SHEET 1 OF 2



HARDY INSTRUMENTS			
TITLE OUTLINE DRAWING, ANY-WEIGH SCALES, ANALOG TYPE			
SIZE	FSCM	DRAWING NO.	REV.
D	21316	0588-0096	B
FILE NAME: 588096B1.DWG		SCALE: NONE	SHEET 2 OF 2